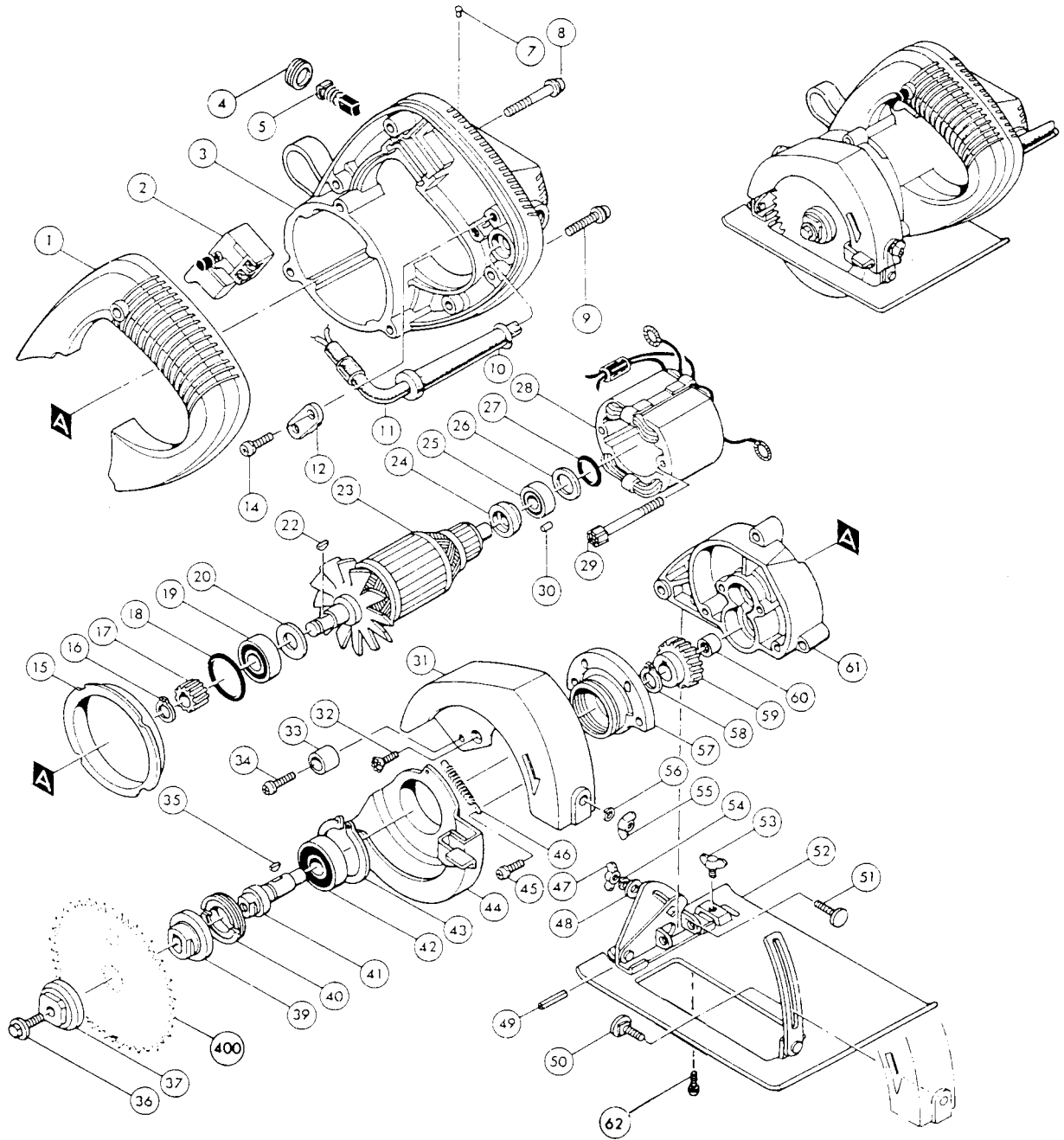




4-3/8" (110mm) CIRCULAR SAW

Model 4200H



WIRING DIAGRAMS

IMPORTANT!
To assure product SAFETY and RELIABILITY, repairs, maintenance or adjustments should be performed by MAKITA Service Centers or other qualified service organizations. Always use MAKITA replacement parts.

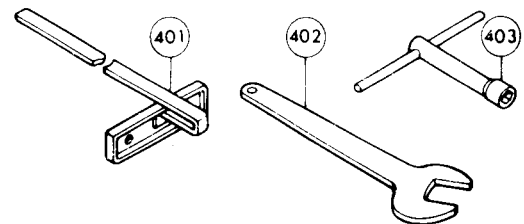
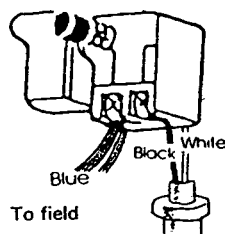


Fig.	Part No.	Qty. Used	Description	Fig.	Part No.	Qty. Used	Description
1	414372-1	1	HANDLE COVER	35	254001-2	1	WOODRUFF KEY 4
2	651215-8	1	SWITCH	36	265226-3	1	H. F. HEAD BOLT M6X17
3	159898-3	1	MOTOR HOUSING	37	224081-2	1	OUTER FLANGE 36
4	643600-9	1	BRUSH HOLDER CAP	39	224080-4	1	INNER FLANGE 36
5	191945-4	1	CARBON BRUSH SET CB-124	40	285815-8	1	BEARING RETAINER 19-33
7	953106-2	1	RIVET	41	321197-5	1	SPINDLE
8	911261-6	1	PAN HEAD SCREW M5X40	42	211129-9	1	BALL BEARING 602DDW
9	911146-6	1	PAN HEAD SCREW M4X25	43	961155-5	1	RETAINING RING S-38
10	682504-0	1	CORD GUARD	44	164473-2	1	SAFETY COVER
11	664013-1	1	CORD (2x18x8;SJT)	45	911103-4	1	PAN HEAD SCREW M4X6
12	687052-4	1	STRAIN RELIEF	46	231773-6	1	TENSION SPRING 4
14	911131-9	1	PAN HEAD SCREW M4X18	47	934301-3	1	WING NUT M6
15	343289-0	1	BAFFLE PLATE	48	941151-9	1	FLAT WASHER 6
16	961004-6	1	RETAINING RING	49	951219-3	1	SPRING PIN 6-32
17	226419-7	1	HELICAL GEAR 19	50	251919-8	1	BOLT M6X20
18	213407-3	1	O-RING 26	51	251919-8	1	BOLT M6X20
19	211056-0	1	BALL BEARING 629LLB	52	168158-2	1	BASE ASSEMBLY
20	253768-9	1	FLAT WASHER 9	53	265724-7	1	WING BOLT M5X10
22	254002-0	1	WOODRUFF KEY 3	54	942151-2	1	SPRING WASHER 6
23	516291-8	1	ARMATURE ASS'Y 115V (Incl. Figs. 19,20,24,25)	55	934301-3	1	WING NUT M6
24	681613-2	1	INSULATION WASHER	56	942151-2	1	SPRING WASHER 6
25	211033-2	1	BALL BEARING 608LB	57	315117-9	1	BEARING BOX
26	253192-6	1	FLAT WASHER 14	58	961052-5	1	RETAINING RING S-12
27	213255-0	1	O-RING 18	59	226420-2	1	HELICAL GEAR 41
28	522806-1	1	FIELD ASS'Y 115V (Incl. Garter Spring 654158-3; Connector 654502-4)	60	212046-6	1	NEEDLE BEARING 810
29	911285-2	1	PAN HEAD SCREW M5X60	61	159648-6	1	GEAR HOUSING
30	263002-9	1	RUBBER PIN 4	62	265883-7	1	SCREW M5X6
31	150632-4	1	BLADE CASE COMPLETE	ACCESSORIES			
32	912121-5	1	C. S. H. SCREW M4X14	400	A-90093	1	4-3/8" CARBIDE BLADE
33	262502-6	1	RUBBER BUSH	401	164095-8	1	GUIDE RULE
34	251247-1	1	PAN HEAD SCREW M6X20	402	781011-1	1	WRENCH 22
				403	782209-3	1	SOCKET WRENCH 9

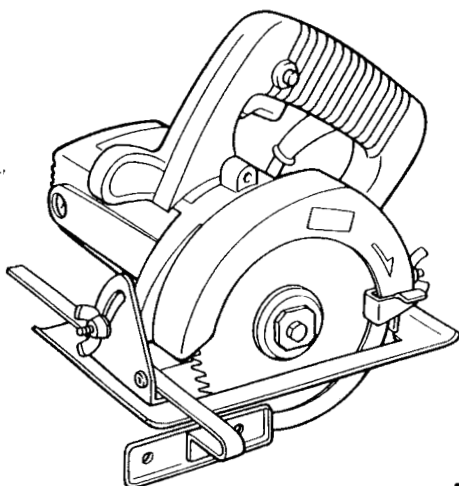
Makita

AMERICA

Circular Saw

110 mm (4-3/8") MODEL 4200H

INSTRUCTION MANUAL



 **DOUBLE INSULATION**

SPECIFICATIONS

Blade diameter	Max. cutting capacities		Continuous rating (Input)	No load speed (RPM)	Overall length	Net weight	Power supply cord
	at 90°	at 45°					
110 mm (4-3/8")	32 mm (1-1/4")	21 mm (3/4")	860 W	11,000	230 mm (9")	3.0 kg (6.6 lbs)	2.5 m (8.2 ft)

• Manufacturer reserves the right to change specifications without notice.

• Note: Specifications may differ from country to country.

WARNING: For your personal safety, READ and UNDERSTAND before using.

SAVE THESE INSTRUCTIONS FOR FUTURE REFERENCE.

IMPORTANT SAFETY INSTRUCTIONS

(For All Tools)

WARNING: WHEN USING ELECTRIC TOOLS, BASIC SAFETY PRECAUTIONS SHOULD ALWAYS BE FOLLOWED TO REDUCE THE RISK OF FIRE, ELECTRIC SHOCK, AND PERSONAL INJURY, INCLUDING THE FOLLOWING:

READ ALL INSTRUCTIONS.

1. **KEEP WORK AREA CLEAN.** Cluttered areas and benches invite injuries.
2. **CONSIDER WORK AREA ENVIRONMENT.** Don't use power tools in damp or wet locations. Keep work area well lit. Don't expose power tools to rain. Don't use tool in presence of flammable liquids or gases.
3. **KEEP CHILDREN AWAY.** All visitors should be kept away from work area. Don't let visitors contact tool or extension cord.
4. **STORE IDLE TOOLS.** When not in use, tools should be stored in dry, and high or locked-up place — out of reach of children.
5. **DON'T FORCE TOOL.** It will do the job better and safer at the rate for which it was intended.
6. **USE RIGHT TOOL.** Don't force small tool or attachment to do the job of a heavy-duty tool. Don't use tool for purpose not intended; for example, don't use circular saw for cutting tree limbs or logs.
7. **DRESS PROPERLY.** Don't wear loose clothing or jewelry. They can be caught in moving parts. Rubber gloves and non-skid footwear are recommended when working outdoors. Wear protective hair covering to contain long hair.
8. **USE SAFETY GLASSES.** Also use face or dust mask if cutting operation is dusty.
9. **DON'T ABUSE CORD.** Never carry tool by cord or yank it to disconnect from receptacle. Keep cord from heat, oil, and sharp edges.
10. **SECURE WORK.** Use clamps or a vise to hold work. It's safer than using your hand and it frees both hands to operate tool.
11. **DON'T OVERREACH.** Keep proper footing and balance at all times.
12. **MAINTAIN TOOLS WITH CARE.** Keep tools sharp and clean for better and safer performance. Follow instructions for lubricating and changing accessories. Inspect tool cords periodically and if damaged, have repaired by authorized service facility. Inspect extension cords periodically and replace if damaged. Keep handles dry, clean, and free from oil and grease.
13. **DISCONNECT TOOLS.** When not in use, before servicing, and when changing accessories, such as blades, bits, cutters.

14. **REMOVE ADJUSTING KEYS AND WRENCHES.** Form habit of checking to see that keys and adjusting wrenches are removed from tool before turning it on.
15. **AVOID UNINTENTIONAL STARTING.** Don't carry tool with finger on switch. Be sure switch is OFF when plugging in.
16. **EXTENSION CORDS.** Make sure your extension cord is in good condition. When using an extension cord, be sure to use one heavy enough to carry the current your product will draw. An undersized cord will cause a drop in line voltage resulting in loss of power and overheating. Table 1 shows the correct size to use depending on cord length and nameplate ampere rating. If in doubt, use the next heavier gage. The smaller the gage number, the heavier the cord.

TABLE 1. MINIMUM GAGE FOR CORD SETS

		Total Length of Cord in Feet			
		0 - 25	26 - 50	51 - 100	101 - 150
Ampere Rating More Than	Not More Than	A W G			
0	6	18	16	16	14
6	10	18	16	14	12
10	12	16	16	14	12
12	16	14	12	Not Recommended	

17. **OUTDOOR USE EXTENSION CORDS.** When tool is used outdoors, use only extension cords intended for use outdoors and so marked.
18. **STAY ALERT.** Watch what you are doing, use common sense. Don't operate tool when you are tired.
19. **CHECK DAMAGED PARTS.** Before further use of the tool, a guard or other part that is damaged should be carefully checked to determine that it will operate properly and perform its intended function. Check for alignment of moving parts, binding of moving parts, breakage of parts, mounting, and any other conditions that may affect its operation. A guard or other part that is damaged should be properly repaired or replaced by an authorized service center unless otherwise indicated elsewhere in this instruction manual. Have defective switches replaced by authorized service center. Don't use tool if switch does not turn it on and off.
20. **GUARD AGAINST ELECTRIC SHOCK.** Prevent body contact with grounded surfaces. For example; pipes, radiators, ranges, refrigerator enclosures.
21. **REPLACEMENT PARTS.** When servicing, use only identical replacement parts.
22. **POLARIZED PLUGS.** To reduce the risk of electric shock, this equipment has a polarized plug (one blade is wider than the other). This plug will fit in a polarized outlet only one way. If the plug does not fit fully in the outlet, reverse the plug. If it still does not fit, contact a qualified electrician to install the proper outlet. Do not change the plug in any way.

VOLTAGE WARNING: Before connecting the tool to a power source (receptacle, outlet, etc.) be sure the voltage supplied is the same as that specified on the nameplate of the tool. A power source with voltage greater than that specified for the tool can result in **SERIOUS INJURY** to the user — as well as damage to the tool. If in doubt, **DO NOT PLUG IN THE TOOL**. Using a power source with voltage less than the nameplate rating is harmful to the motor.

ADDITIONAL SAFETY RULES

1. **Keep Guards In Place and In Working Order.**
Never wedge or tie lower guard open. Check operation of lower guard before each use. Don't use if lower guard does not close briskly over saw blade.
CAUTION: If saw is dropped, lower guard may be bent, restricting full return.
2. **Keep Blades Clean and Sharp.**
Sharp blades minimize stalling and kickback.
3. **DANGER: Keep Hands Away From Cutting Area.**
Keep hands away from blades. Don't reach underneath work while blade is rotating. Don't attempt to remove cut material when blade is moving.
CAUTION: Blades coast after turn off.

4. **Support Large Panels.**
Large panels must be supported as shown in Fig. 1 to minimize the risk of blade pinching and kickback.
When cutting operation requires the resting of the saw on the work piece, the saw shall be rested on the larger portion and the smaller piece cut off.

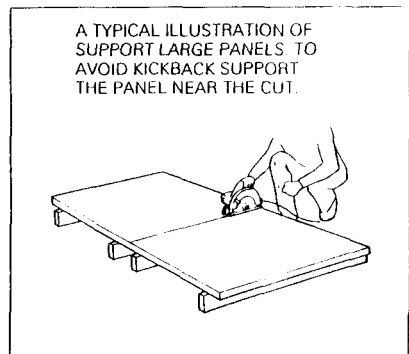


Fig. 1

5. **Use Rip Fence.**
Always use a fence or straight edge guide when ripping.
6. **Guard Against Kickback.**
Kickback occurs when the saw stalls rapidly and is driven back towards the operator. Release switch immediately if blade binds or saw stalls. Keep blades sharp. Support large panels as shown in Fig. 1. Use fence or straight edge guide when ripping. Don't force tool. Stay alert exercise control. Don't remove saw from work during a cut while the blade is moving.
7. **Lower Guard.** Raise lower guard with the retracting handle.
8. **Adjustments.** Before cutting be sure depth and bevel adjustments are tight.
9. **Use Only Correct Blades In Mounting.** Don't use blades with incorrect size holes. Never use defective or incorrect blade washers or bolts.
10. **Avoid Cutting Nails.** Inspect for and remove all nails from lumber before cutting.

11. When operating the saw, keep the cord away from the cutting area and position it so that it will not be caught on the workpiece during the cutting operation. Operate with proper hand support, proper work support, and supply cord routing away from the work area.

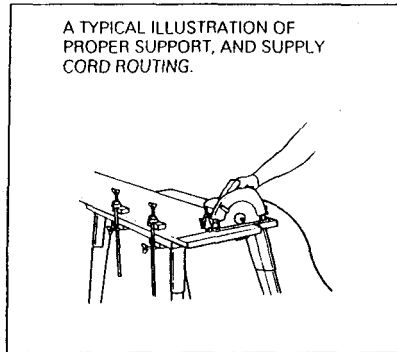


Fig. 2

WARNING:

It is important to support the work properly and to hold the saw firmly to prevent loss of control which could cause personal injury. Fig. 2 illustrates typical hand support of the saw.

12. Never attempt to saw with the circular saw held upside down in a vise. This can lead to serious accidents, because it is extremely dangerous.

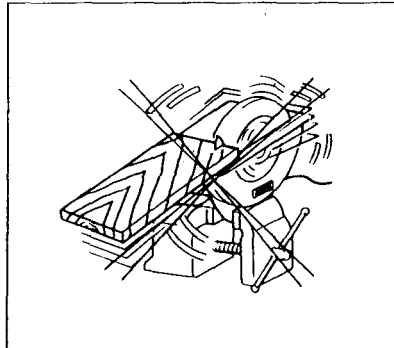


Fig. 3

13. Before setting the tool down after completing a cut, be sure that the lower (telescoping) guard has closed and the blade has come to a complete stop.

SAVE THESE INSTRUCTIONS.

How to use

Lock-off switch button

There is a lock-off switch button on the handle. To start the tool, first depress the lock-off switch button and then pull the trigger. Release the trigger to stop. The trigger will not work before the lock-off switch button is depressed.

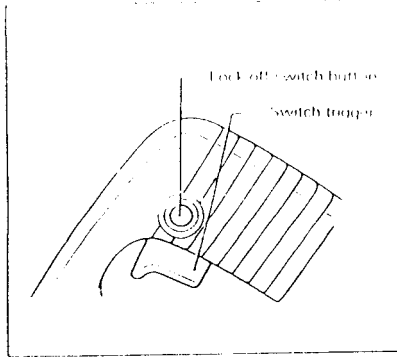


Fig. 4

Top guide

The shorter slot (as seen from right) is for bevel cuts of 45 degrees. Align it with your cutting line.

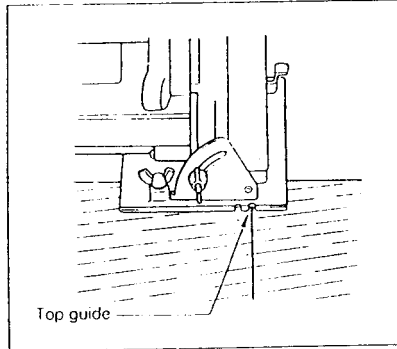


Fig. 5

Cutting depth

To adjust the cutting depth, loosen the thumb screw on the depth guide; then, holding down the base with one hand, raise or lower the body for the desired depth.

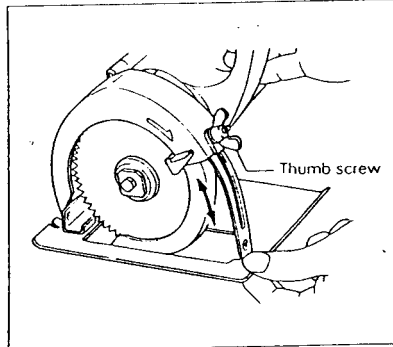


Fig. 6

Rip fence (Guide rule)

The handy rip fence allows you to do extra-accurate straight cuts. Simply slide the rip fence up snugly against the side of the stock and secure it in position with the thumb screw on the front of the base. It makes repeated cuts of uniform stock width possible, too.

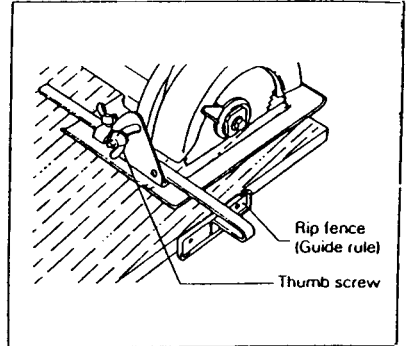


Fig. 7

Sawing

For sawing, set the base plate on the wood to be cut without the blade making any contact. Then switch the saw on. Now simply move the saw forward over the wood surface, keeping it flat and advancing smoothly until the sawing is completed. To get clean cuts, keep your sawing line straight and your speed of advance uniform.

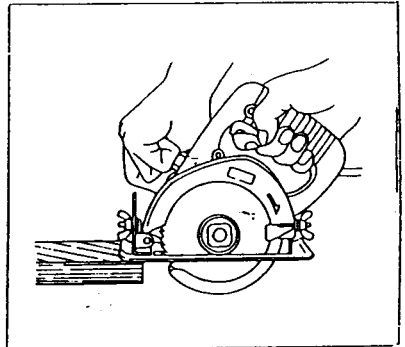


Fig. 8

For bevel work

Loosen the wing nut on the bevel scale plate on base front. Set for desired angle (0° - 45°) by tilting accordingly, then re-tighten the wing nut firmly.

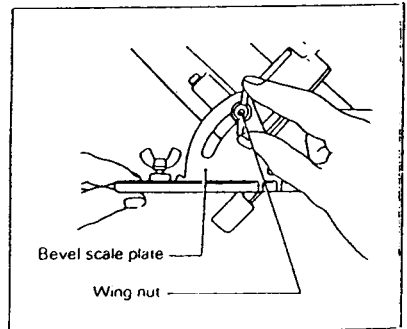


Fig. 9

Replacing the saw blade

Do not replace with saw blade bigger than 4-3/8".

To replace the saw blade, grip the outer flange with a wrench (22), then remove the hex bolt with a socket wrench. The blade comes off easily.

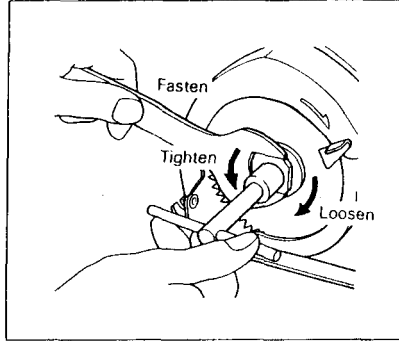


Fig. 10

MAINTENANCE

CAUTION:

Always be sure that the tool is switched off and unplugged before attempting to perform inspection or maintenance.

Replacing carbon brushes

Remove and check the carbon brushes regularly. Replace when they wear down to the limit mark. Keep the carbon brushes clean and free to slip in the holders. Both carbon brushes should be replaced at the same time. Use only identical carbon brushes.

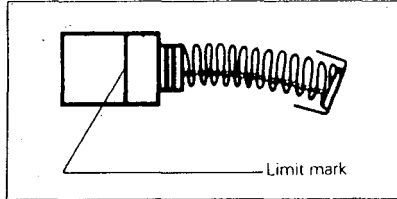


Fig. 11

Use a screwdriver to remove the brush holder caps. Take out the worn carbon brushes, insert the new ones and secure the brush holder caps.

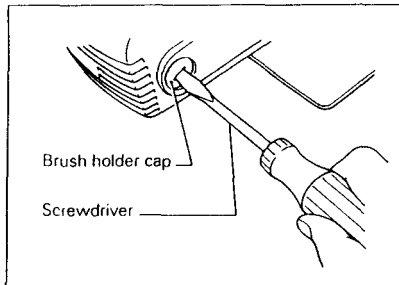


Fig. 12

To maintain product SAFETY and RELIABILITY, repairs, any other maintenance or adjustment should be performed by Makita Authorized or Factory Service Centers, always using Makita replacement parts.

ACCESSORIES

CAUTION:

These accessories or attachments are recommended for use with your Makita tool specified in this manual. The use of any other accessories or attachments might present a risk of injury to persons. The accessories or attachments should be used only in the proper and intended manner.

COMBINATION Saw Blade



Diameter (mm)	Hole diameter (mm)	No. teeth	Part No.
110 (4-3/8")	20 (3/4")	50	721104-2

CROSS-CUT Saw Blade



Diameter (mm)	Hole diameter (mm)	No. teeth	Part No.
110 (4-3/8")	20 (3/4")	60	721105-0

METAL CUTTING Saw Blade



Diameter (mm)	Hole diameter (mm)	No. teeth	Part No.
110 (4-3/8")	20 (3/4")	50	721106-8
		110	721108-4

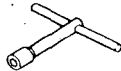
CARBIDE-TIPPED Saw Blade



Diameter (mm)	Hole diameter (mm)	No. teeth	Part No.
110 (4-3/8")	20 (3/4")	4	721107-6
		12	A-90093

Socket Wrench

Part No. 782209-3



Wrench 22

Part No. 781011-1

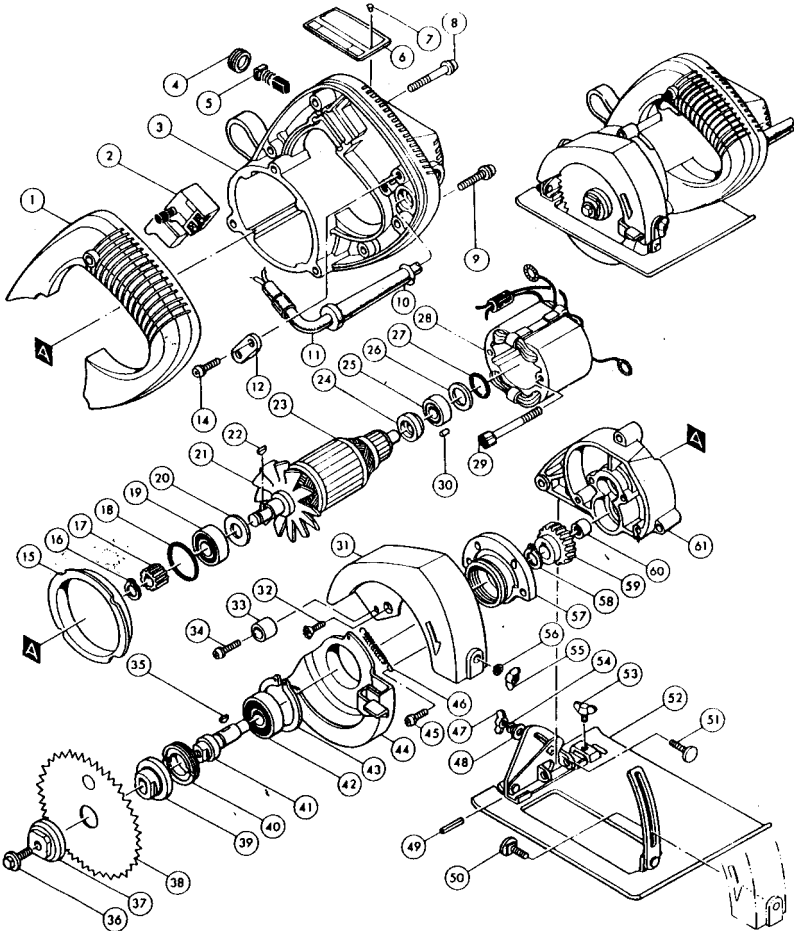


Rip Fence (Guide Rule)

Part No. 164095-8



110 mm (4-3/8") CIRCULAR SAW Model 4200H



Note: The switch and other part configurations may differ from country to country.

AMERICA

MODEL 4200H

Apr.-16-'96 US

ITEM NO.	NO. USED	DESCRIPTION	ITEM NO.	NO. USED	DESCRIPTION
MACHINE			MACHINE		
1	1	Handle Cover	31	1	Blade Case
2	1	Switch	32	4	C. H. Screw M4x14 (With Washer)
3	1	Motor Housing	33	1	Rubber Bush
4	2	Brush Holder Cap	34	1	P. H. Screw M5x14 (With Washer)
5	2	Carbon Brush	35	1	Woodruff Key 4
6	1	Name Plate	36	1	H. F. Bolt M6x17
7	2	Rivet 0-5	37	1	Outer Flange 36
8	3	P. H. Screw M5x40 (With Washer)	39	1	Inner Flange 36
9	4	P. H. Screw M4x25 (With Washer)	40	1	Bearing Retainer 19-33
10	1	Cord Guard	41	1	Spindle
11	1	CORD ASSEMBLY (Assembled Cord, Plug & Item 10)	42	1	Ball Bearing 6201LLB
12	1	Strain Relief	43	1	Retaining Ring S-38
14	2	P. H. Screw M4x18 (With Washer)	44	1	Safety Cover
15	1	Battle Plate	45	1	P. H. Screw M4x6 (With Washer)
16	1	Retaining Ring S-8	46	1	Tension Spring 3
17	1	Helical Gear 20	47	1	W. Nut M6
18	1	O Ring 26	48	1	F. Washer 6
19	1	Ball Bearing 629LLB	49	1	Spring Pin 6-32
20	1	F. Washer 9	50	1	C. S. N. Bolt M6x20
21	1	Fan 68	51	1	C. S. N. Bolt M6x20
22	1	Woodruff Key 3	52	1	Base
23	1	ARMATURE ASSEMBLY (Assembled Items 19 21 & 23 - 25)	53	1	T. Screw M5x10
24	1	Insulation Washer	54	1	S. Washer 6
25	1	Ball Bearing 608LLB	55	1	W. Nut M6
26	1	F. Washer 14	56	1	S. Washer 6
27	1	O Ring 18	57	1	Bearing Box
28	1	FIELD ASSEMBLY	58	1	Retaining Ring S-12
29	2	H. Bolt M5x60 (With Washer)	59	1	Helical Gear 41
30	1	Rubber Pin 4	60	1	Needle Bearing 810
			61	1	Gear Housing

Note: The switch and other part specifications may differ from country to country.

MAKITA LIMITED ONE YEAR WARRANTY

Warranty Policy

Every Makita tool is thoroughly inspected and tested before leaving the factory. It is warranted to be free of defects from workmanship and materials for the period of ONE YEAR from the date of original purchase. Should any trouble develop during this one-year period, return the COMPLETE tool, freight prepaid, to one of Makita's Factory or Authorized Service Centers. If inspection shows the trouble is caused by defective workmanship or material, Makita will repair (or at our option, replace) without charge.

This Warranty does not apply where:

- repairs have been made or attempted by others;
- repairs are required because of normal wear and tear;
- The tool has been abused, misused or improperly maintained;
- alterations have been made to the tool.

IN NO EVENT SHALL MAKITA BE LIABLE FOR ANY INDIRECT, INCIDENTAL OR CONSEQUENTIAL DAMAGES FROM THE SALE OR USE OF THE PRODUCT. THIS DISCLAIMER APPLIES BOTH DURING AND AFTER THE TERM OF THIS WARRANTY.

MAKITA DISCLAIMS LIABILITY FOR ANY IMPLIED WARRANTIES, INCLUDING IMPLIED WARRANTIES OF "MERCHANTABILITY" AND "FITNESS FOR A SPECIFIC PURPOSE," AFTER THE ONE-YEAR TERM OF THIS WARRANTY.

This Warranty gives you specific legal rights, and you may also have other rights which vary from state to state. Some states do not allow the exclusion or limitation of incidental or consequential damages, so the above limitation or exclusion may not apply to you. Some states do not allow limitation on how long an implied warranty lasts, so the above limitation may not apply to you.

Makita do Brasil Ferramentas Elétricas Ltda.
 Rua Makita Brasil, No. 200
 Bairro Dos Alvarengas, CEP: 09852-070
 São Bernardo Do Campo-São Paulo, Brasil